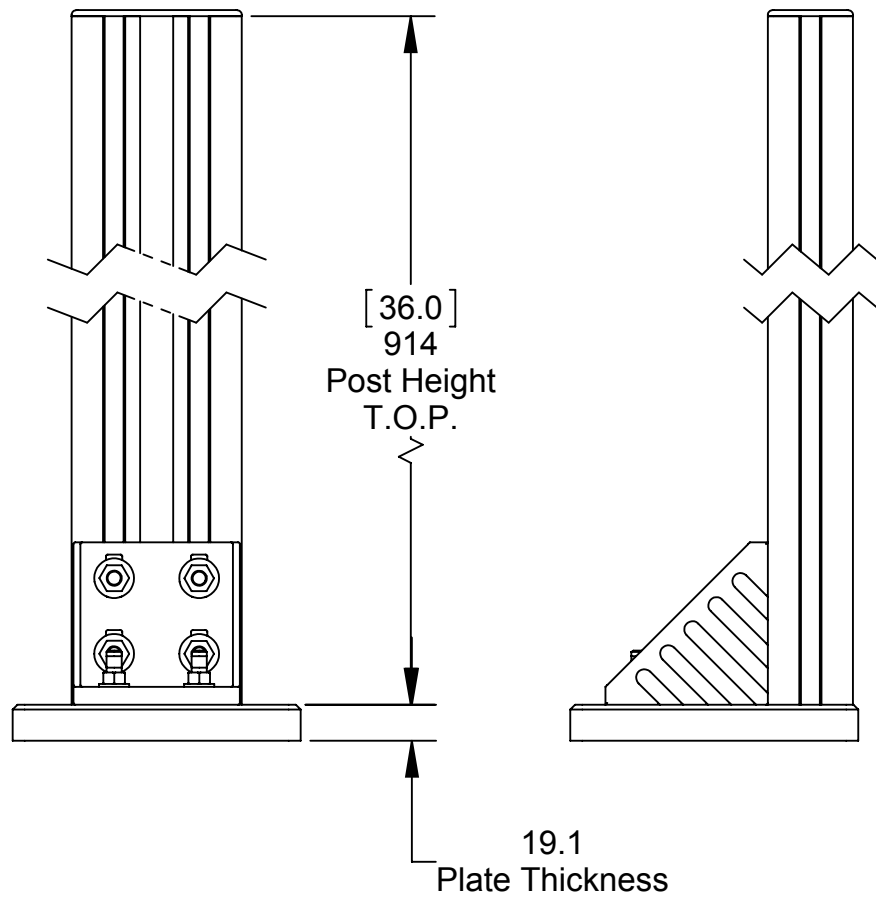
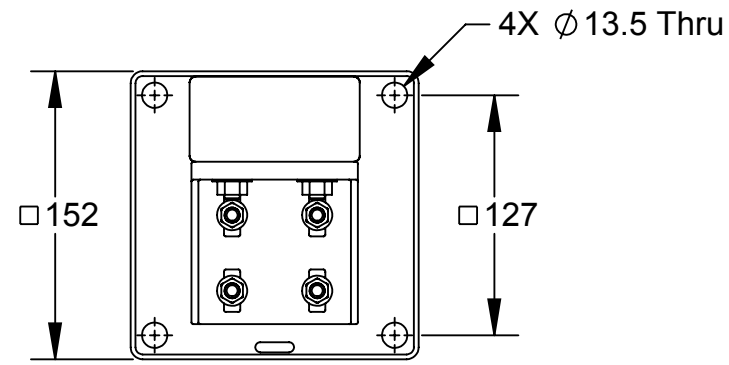


Rev.	Description	Initiator	Date
03	ECO 13584: Added new Note #1 and renumbered existing Notes; Changed Note #'s on callouts; Added images & Notes detailing tab removal; "Kit" added to Post Module description.	MSD	9/25/2015



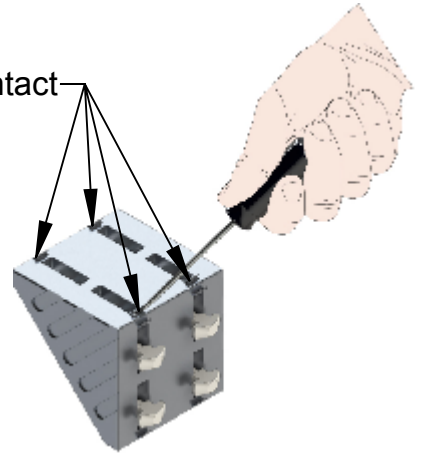
4X M8 T-Bolt
242 / 190 in-lbs
Note 2

Note 1

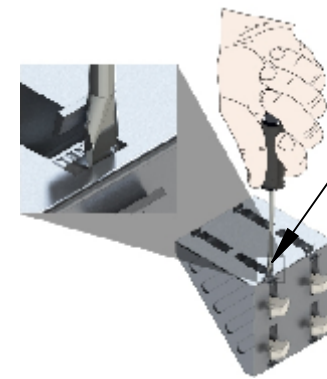
4X M8 SHCS
Pre / 190 in-lbs
Note 3

2X M12 SHCS
Pre / 250 in-lbs
Note 3

Remove the tabs on the Gusset face that will contact the Base assembly



Pry up on a tab to break it off




Tab Removal Instructions:

1. Insert a screw driver into the slot under the tab.
2. Pry up on the tab to break it off.
3. Remove any burrs that may not allow flush contact to the base assembly.

Notes:

1. Customer to remove Gusset tabs from the mating surface that contacts the base assembly.
2. Customer to use Loctite or similar thread locker and torque fasteners to listed torque value.
3. Customer to install pre-applied fasteners and torque to listed torque value.

ITEM NO.	QTY	PART NUMBER	DESCRIPTION
1	1	9120-TSS-PM-3317	TSS Post Module, 0914mm (36") Post Height - Kit
NOTES: UNLESS OTHERWISE SPECIFIED.		 <p>1031 Goodworth Drive, Apex, NC 27539, USA Tel: +1.919.772.0115 Email: info@ati-ia.com Fax: +1.919.772.8259 www.ati-ia.com ISO 9001 Registered Company</p> <p>PROPERTY OF ATI INDUSTRIAL AUTOMATION, INC. NOT TO BE REPRODUCED IN ANY MANNER EXCEPT ON ORDER OR WITH PRIOR WRITTEN AUTHORIZATION OF ATI.</p>	
DO NOT SCALE DRAWING. ALL DIMENSIONS ARE IN MILLIMETERS.			
DRAWN BY: D.Brewer, 10/31/13		TITLE	
CHECKED BY: J. Winterroth, 11/02/13		TSS Post Module, 0914mm (36") Post Height	
PROJECT #		SCALE	REVISION
SHEET 1 OF 1		1:4	03
		SIZE	DRAWING NUMBER
		B	9630-20-TSS-PM-3317

